

▶ Product Data Sheet



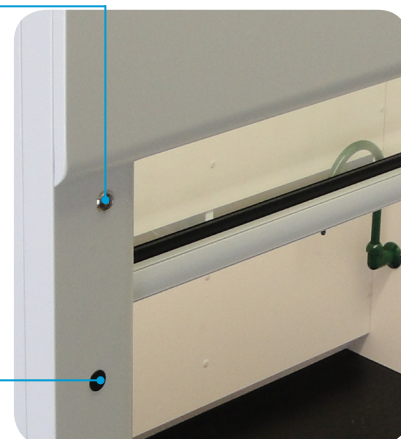
PERFORMANCE: Airfoil is aerodynamic, eliminating turbulence as air enters the hood.

DESIGN: Sash Viewing Height is 35" providing a clear unobstructed view of the hood interior.

DESIGN: 1 Piece Gasketed Access Panels easy removal and install for access to utility lines.



SAFETY: Keyed Sash Lock stops sash from rising above 18" operating position. Unlocked sash provides 27 1/2" setup position.

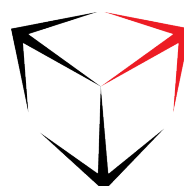


DESIGN: Pre-punched Fixture Holes for ease of adding future required plumbed services.

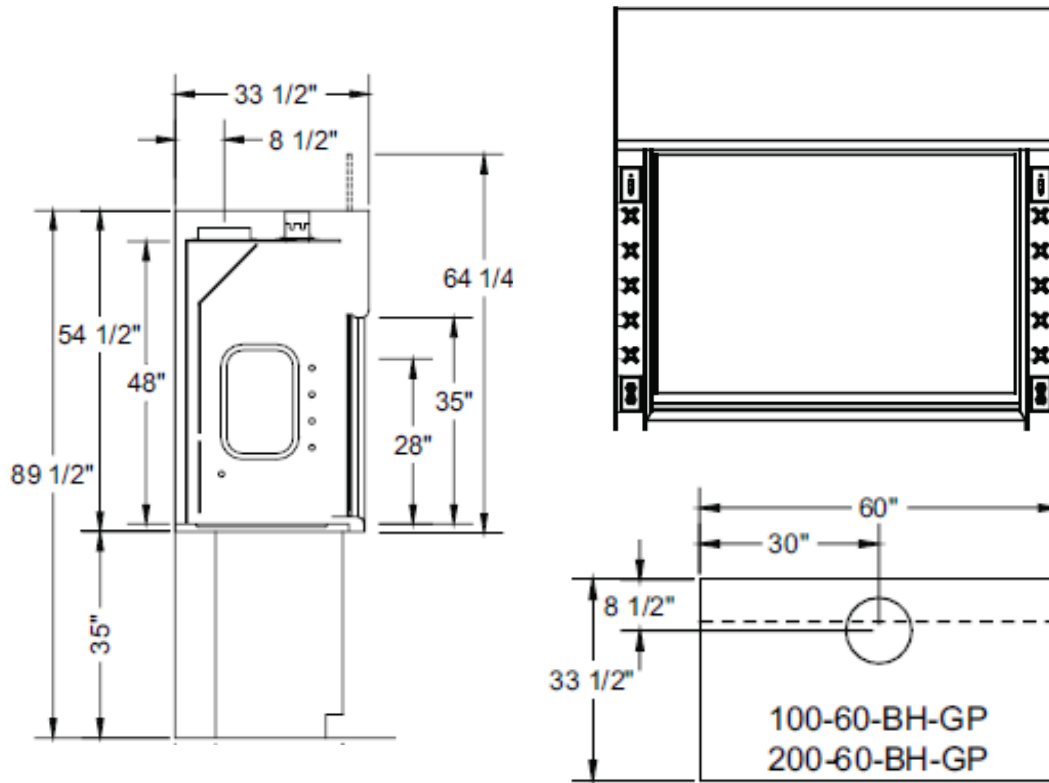
CiF APEX-air GP Series fume hood, will fit your everyday laboratory project needs and protect the end user from harmful chemicals. Safety is the primary concern with the GP Series hood, which is ASHRAE 110 Tested. The design of the hood provides maximum safety at minimal cost with many standard features such as sash stops and combination sashes. The CiF Apex Air GP Series Hood is the perfect laboratory fume hood for your next project.

Standard Features

- Front posts are radiused allowing for smooth airflow entry into the hood.
- Down draft bypass system for efficient air flow.
- UL Listed, white fiberglass reinforced thermoset polyester interior lining.
- Sash has a 27 1/2" opening height and utilizes a reliable cable and pulley counter balance system.



*ASHRAE 110 Tested



APEX-air GP Fume Hood Airflow Data

Hood Size (feet)	Collar Size Diameter (inches)	Full Open (100 FPM)		Full Open (80 FPM)		18" Open (100 FPM)		18" Open (80 FPM)	
		CFM	SP	CFM	SP	CFM	SP	CFM	SP
4	10	739	.26	591	.16	475	.11	380	.07
5	11	972	.29	778	.18	625	.12	500	.08
6	12	1206	.30	964	.19	775	.12	620	.08
8	10 (2)	1672	.30	1338	.19	1075	.12	860	.08

*27.5" vertical opening should be used for set-up only

CFM (cubic feet per minute) SP (static pressure)

