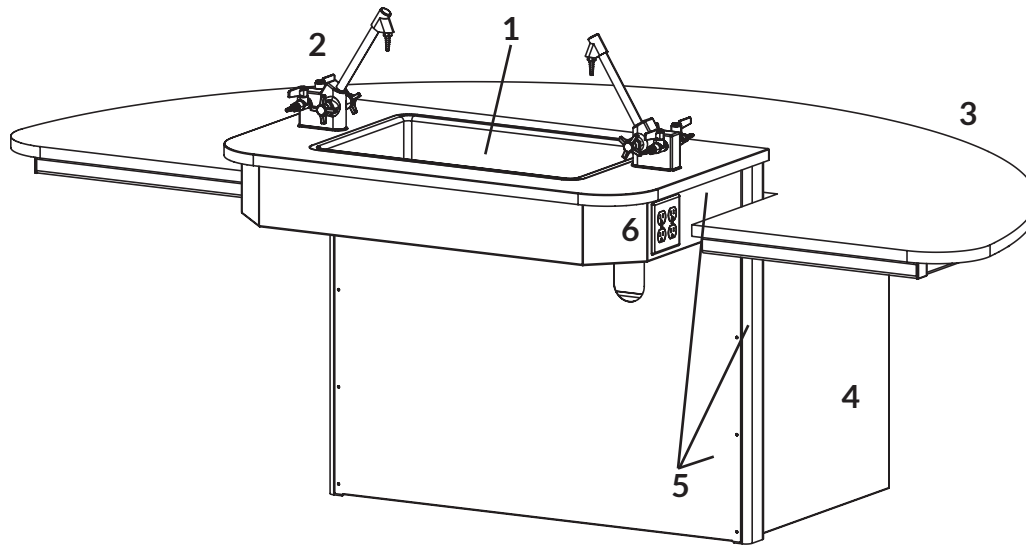


# Elevation Table Options Menu

US Version



CiFLABSOLUTIONS



\*7, 8 and 9 are not shown.

## 1. Sink

- None
- Durcon A55 drop-in style with marine edge epoxy top
- Plumbing P-trap ADA cover (available in white)

## 2. Water and Gas Fixtures

- None
- Watersaver VR5800WSA
- Watersaver VR5800-110WSA, vacuum breaker
- Other: \_\_\_\_\_

## 3. Countertop

- 84 L x 48 W x 1 H
- 95.5 L x 48 W x 1 H
- Epoxy resin (standard: black)
  - Flat top worksurface
  - Marine edge worksurface
- Phenolic resin, flat top only (standard: black)
- Color: \_\_\_\_\_

## 4. Base Panels

- Wood veneer
  - Red oak, stain color: \_\_\_\_\_
  - White maple, stain color: \_\_\_\_\_
  - Other: \_\_\_\_\_
- Metal available colors:
  - Grey
  - Light neutral
  - Black
  - White

## 5. Base Pedestal Metal Frame

- Available colors:
- Grey
  - Light neutral
  - Black
  - White

## 6. Electrical Fixtures

**Devices in apron will require field wiring by others:**

- None: Leviton standard cover
- Duplex outlets are Leviton #G5262 series 15amp 125v, GFCI (required if sink is included)
- Duplex outlets are Leviton #16262 15amp 125v
- USB outlets are Leviton #USB4P series 4.2A-125v (4 ports)
- Other: \_\_\_\_\_

Available colors:

- Grey
- Light neutral
- Black
- White

## 7. Apparatus Rods (coordinate with dealer representative)

- None
- Apparatus rods, aluminum, taper fit design, rod diameter is 3/4" and available in various lengths

## 8. Wire Grommets (coordinate with dealer representative)

- None
- Quantity: \_\_\_\_\_
- Size: \_\_\_\_\_
- Color: \_\_\_\_\_

## 9. Height Adjustable Stool

(coordinate with dealer representative)

- None
- Rhino Basic Stool by Cramer RRBH3
- Other: \_\_\_\_\_

Table Quantity: \_\_\_\_\_