

▶ Product Data Sheet

- **Industry Recognized Tier 1 Wood Casework**
Veneer Options: attention to veneer selection, matching criteria and construction expertise.
- **SEFA Compliant Hardware:**
Various choices that promise the highest quality and provide various function and aesthetic features.
- **AWI Premium Stretcher Rail Construction:** Precision dowel pin joinery consisting of a front horizontal rail and two vertical back rails.
- **AA Doors and Drawer Fronts:** Vertically matched veneers within the cabinet configuration for optimal grain and color consistency.
- **Flat-line Finishing System:** ensuring compliance with AWI quality standards and SEFA-8 compliance. The most durable laboratory finish with board room quality appearance.

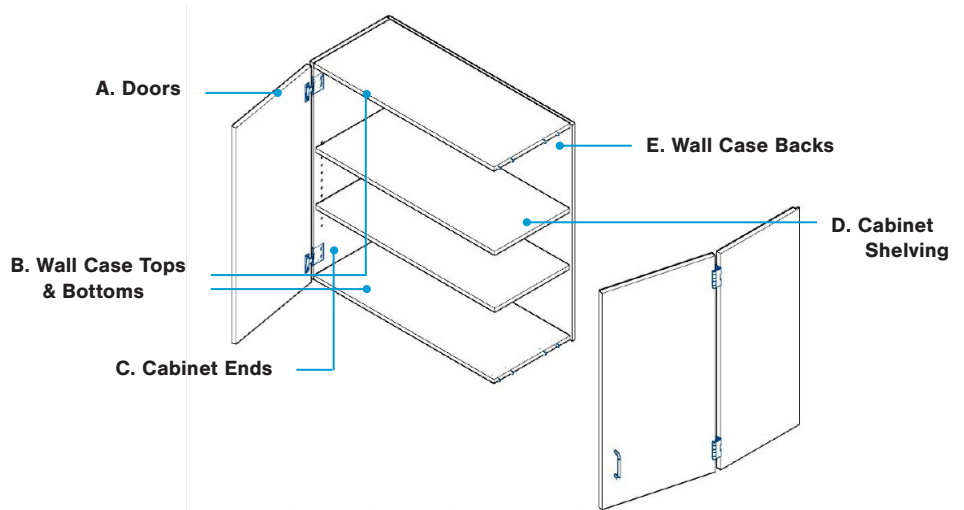
Key Features

Premier Quality	Our Tier 1 cabinet construction starts with the highest quality materials, adds traditional craftsmanship and results in an unparalleled fit and finish.
Custom Design	Our custom capabilities and parametric engineering allow us to provide our customers with endless configurations.
Full Product Offering	Fixed, mobile and suspended cabinet options, specialty cabinets (acid, flammable and vacuum pump) and ADA compliant in virtually any veneer species.
Industry Compliance	CiF delivers products that meet performance criteria and contribute to project regulatory standards such as SEFA, AWI-QCP, AWMAC, FSC and LEED contributions.
True to Your Vision	CiF has built a reputation on providing high quality products which meets and exceed the requirements of designers, planners and architects. We pride ourselves in being able to provide innovative solutions for demanding, quality driven clients, who require a level of sophistication not easily found in our industry. At CiF we always take pride in our work and we are always “True to Your Vision”.



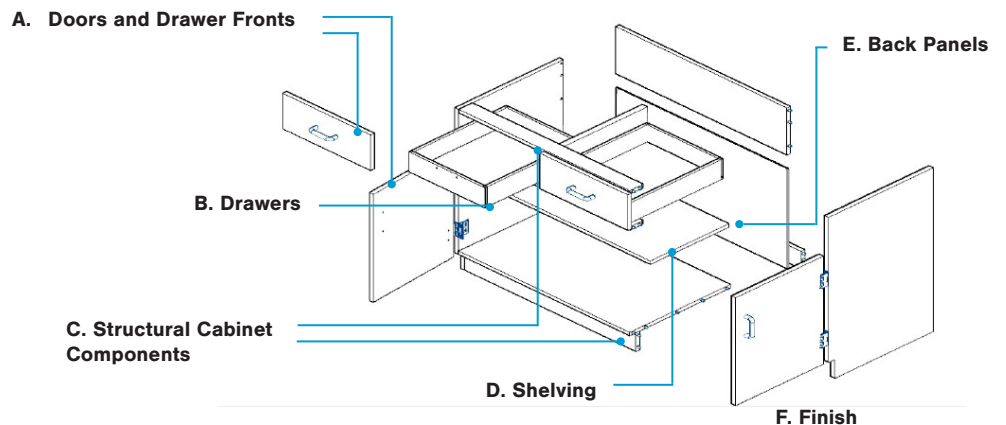
Wall Cabinet Construction

- A. *Standard* 3/4" veneer core plywood or *optional* 3/4" combination core
- B. *Standard* 3/4" hardwood plywood or *optional* 3/4" hardwood styles with hardwood plywood or *optional* 3/4" combination core; edge banded in 3mm hardwood or *optional* 4 or 5mm solid stick stock
- C. *Standard* 1" veneer core plywood or *optional* 1" combination core
- D. *Standard* 3/4" veneer core plywood or *optional* 3/4" combination core plywood (shelves over 36" W are 1")
- E. *Standard* 1/4" white hardboard or *optional* 1/4" veneer plywood for semi-exposed, open cabinet backs will be veneer plywood



Base Cabinet Construction

- A. *Standard* 3/4" hardwood plywood or *optional* 3/4" hardwood styles with hardwood plywood or *optional* 3/4" combination core; edge banded in 3mm hardwood or *optional* 4 or 5mm solid stick stock
- B. Dovetailed drawer box with 1/2" Baltic Birch, with captured bottoms and separate applied fronts
- C. Stretcher rails, toe kicks and end panels are manufactured with 3/4" veneer core plywood or *optional* 3/4" combination core plywood
- D. *Standard* 3/4" veneer core plywood or *optional* 3/4" combination core plywood (shelves over 36" W are 1")
- E. *Standard* removable 1/4" white hardboard backs or *optional* 1/4" veneer core finished backs. 1/4" veneer core finished backs where exposed
- F. Our finishing of exposed and semi-exposed surfaces meets AWI and SEFA-8 requirements



*Refer to CiF Lab Solutions E-line Specifications for a comprehensive list of available product options.

