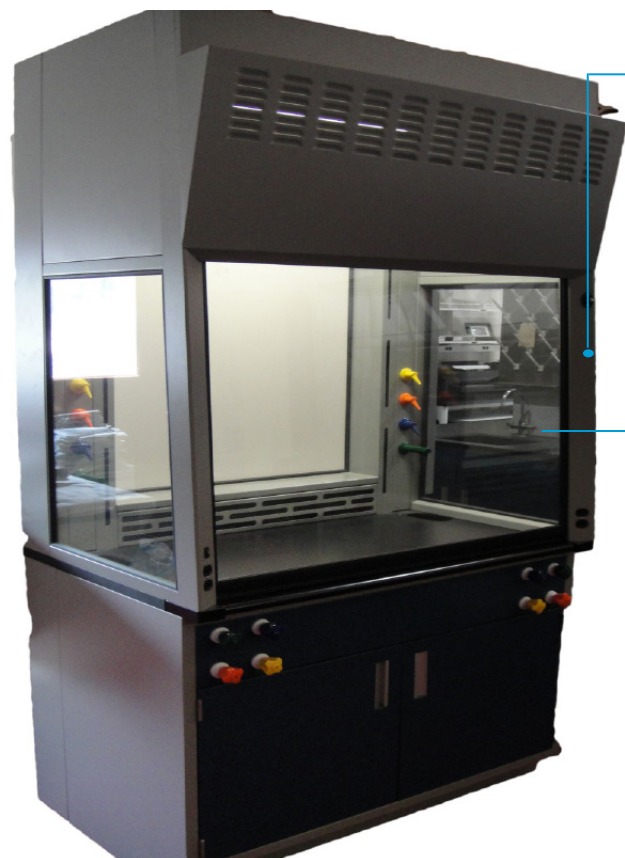


# CiF Lab Solutions APEX-air Teaching Fume Hood

## ▶ Product Data Sheet

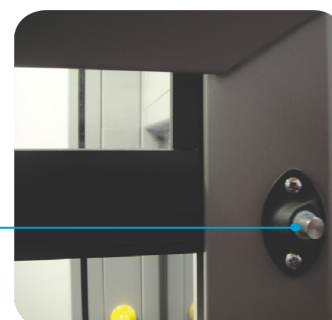


**DESIGN: Narrow Post Design** features unobstructed interior viewing, angled entry for performance and housing for electrical devices.



**DESIGN: Sash Viewing Height** is 31" with a 35" viewing height.

**SAFETY: Sash Latch** holds sash at full open position for set-up and lowers automatically to 18" when released.



**CiF APEX-air Teaching fume hood**, is a hood that offers unobstructed viewing of the interior work area. Ideal for a teacher and instructor demonstration application for students or observers. Each unit comes standard with four outlets, fluorescent light and light switch pre-wired to a junction box located on the top of the hood. The Teaching hood is available as both a single unit or a double sided hood.

### Standard Features

- Narrow post design features unobstructed interior viewing, angled entry for performance and housing for electrical devices.
- Optional single face units can be positioned side by side with a single pane of 1/4" laminated glass separating the two units.
- Down draft bypass provides for a constant face velocity. Restricted bypass for variable volume exhaust systems is also available.
- Full view PVC sash frame incorporated an automatic sash return system. A latch holds the sash at the full open position for set-ups and lowers automatically to 18" when released. Operating height is 18".
- Sash full height opening is 31" with a 35" viewing height.



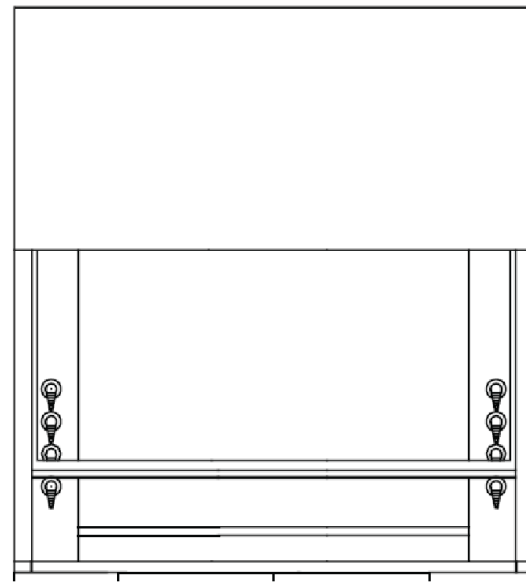
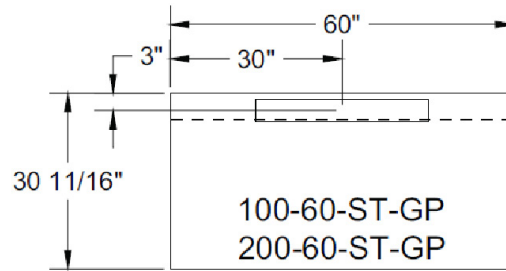
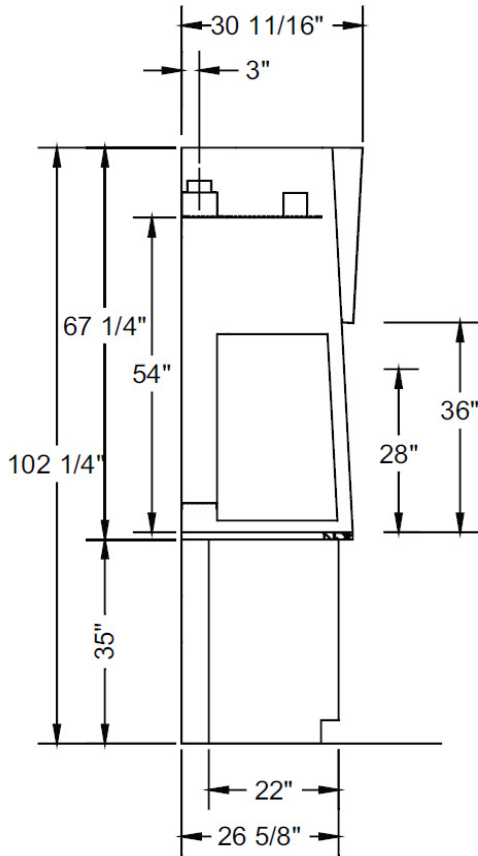
53 Courtland Avenue | Vaughan, Ontario, Canada L4K 3T2 | 905.738.5821  
www.cifsolutions.com

©2024 CiF Lab Solutions LP



**CiFLABSOLUTIONS**

\*ASHRAE 110 tested



APEX-air Teaching Fume Hood Airflow Data

Hood Size (feet)	Collar Size Diameter (inches)	18" OPEN / 100 FPM		18" OPEN / 80 FPM	
		CFM	SP	CFM	SP
4	4 x 30	550	.15	440	.09
5	4 x 30	700	.18	560	.12
6	4 x 30	850	.21	680	.13

CFM (cubic feet per minute) SP (static pressure)

