

# Contents

General Information.....	SA-2
Student Island Benches.....	SA-3
Pedestal Islands .....	SA-10
Student Perimeter Workstations.....	SA-13
Instructors' Desks & Demonstration .....	SA-14
Science Assemblies Index.....	SA-16

# General Information

**Please review the following for general Science Assemblies information. Contact your dealer for any clarifications.**

Casework shown in this section has been pre-engineered for a wide variety of function, storage and work surface solutions. If you do not find your solution in this catalog, please contact your CiF Lab Solutions dealer. We may be able to custom engineer a solution to your specific needs.

Be sure to utilize fillers, especially at walls and corners, for proper leveling and to allow for door and drawer opening clearances.

Cabinets that require locks, specialty hardware or other devices must be clearly called out and specified accordingly.

Model Numbers shown include counter tops, sinks and services as described. For wood parts only (typically everything below the counter top) add suffix “-WD” to the model number (after any suffixes to denote cabinet types as applicable to specific products).

Service fittings may be deleted and additional services may be provided. Contact your CiF Lab Solutions Dealer for additional information.

## **Not included**

- Sink traps and waste lines
- Plumbing supply lines and connections
- Electrical linework and connections

# Student Island Benches



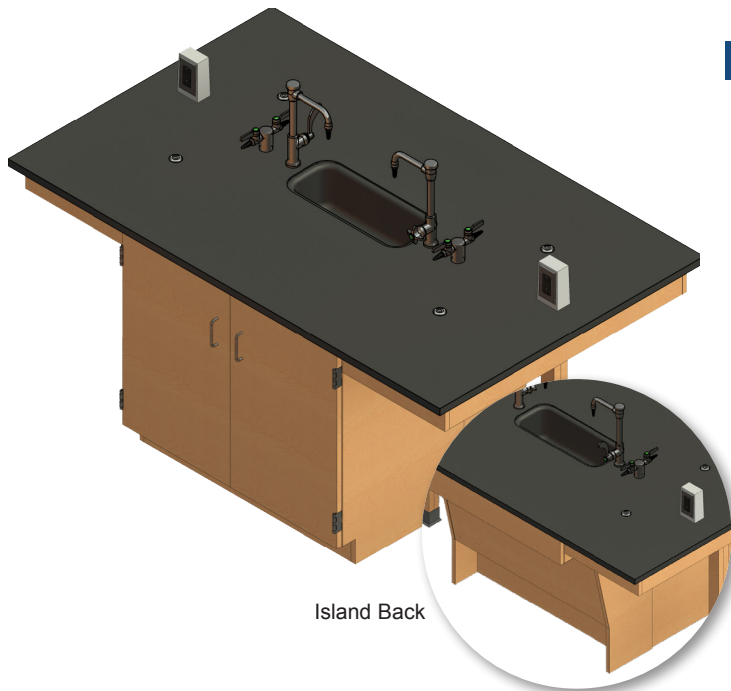
## I0440 (Wood components only: I0440-WD)

### Four Student Island

- 72" long x 44" deep
- Specify standing height (36") or ADA height (34")
- Phenolic resin or cast epoxy top
- Two base cabinets, 36" wide x 16" deep. Choose types G through J (shown below) and add cabinet code as suffix. (I0440G is shown)

### Services

- D22C - 18" X 6.5" X 6.8" deep epoxy drop-in sink
- 2 x VR611VB cold water faucet with vacuum breaker and hose nozzle, vandal-resistant
- 2 x VR4100-132SWSA deck-mounted double ball valve, 180°
- 2 x VRE433GF-SA-WS electrical pedestal – duplex double sided GFI, vandal-resistant
- 4 x AAP104 aluminum rod socket, 1/2" thread
- Upright rods not included (AAP125-036 to be ordered separately)



## I1440 (Wood components only: I1440-WD)

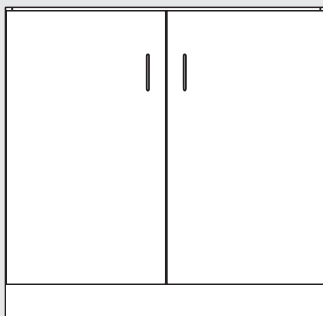
### Four Student Island, ADA Compliant

- 72" long x 42" deep x 34" high
- One base cabinet, 36" wide x 16" deep. Choose types G through J (shown below) and add cabinet code as suffix. (I1440G is shown)
- ADA sloped sink enclosure panels on opposite side, 36" wide x 16" deep
- Phenolic resin or cast epoxy top

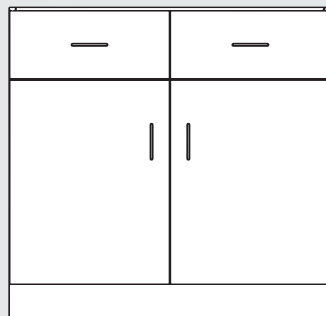
### Services

- D22C - 18" X 6.5" X 6.8" deep epoxy drop-in sink
- 1 x VR611VB cold water faucet with vacuum breaker and hose nozzle, vandal-resistant
- 1 x VR611VB-BH ADA cold water faucet with vacuum breaker and hose nozzle, vandal-resistant
- 2 x VR4100-132SWSA deck-mounted double ball valve, 180°
- 2 x VRE433GF-SA-WS electrical pedestal – duplex double sided GFI, vandal-resistant
- 4 x AAP104 aluminum rod socket, 1/2" thread
- Upright rods not included (AAP125-036 to be ordered separately)

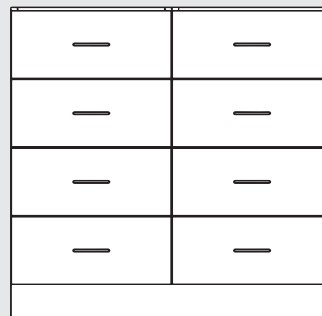
## Base Cabinet Options



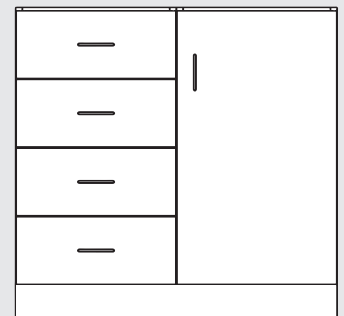
Type G



Type H



Type I



Type J

# Student Island Benches (cont'd)

## 10840 (Wood components only: 10840-WD)

### Eight Student Island, ADA Compliant

- 122" long x 50" deep
- Specify standing height (36") or ADA height (34")
- Phenolic resin or cast epoxy top
- Four base cabinets, 24" wide x 16" deep. Choose from types A through F (shown below) and add cabinet code as suffix. (10840A is shown)

### Services

- 2 x TS-15 – 10.88" x 3" x 5.25" deep epoxy drop-in sink
- 4 x VR611VB cold water faucet with vacuum breaker and hose nozzle, vandal-resistant
- 2 x VR4100-132SWSA deck-mounted double ball valve, 180°
- 1 x VR4100-134WSA deck-mounted QUAD ball valve
- 4 x VRE433GF-SA-WS electrical pedestal - duplex double sided GFI, vandal-resistant
- 8 x AAP104 aluminum rod socket, 1/2" thread
- 8 x AAP125-036 Aluminum vertical rod, 36", threaded

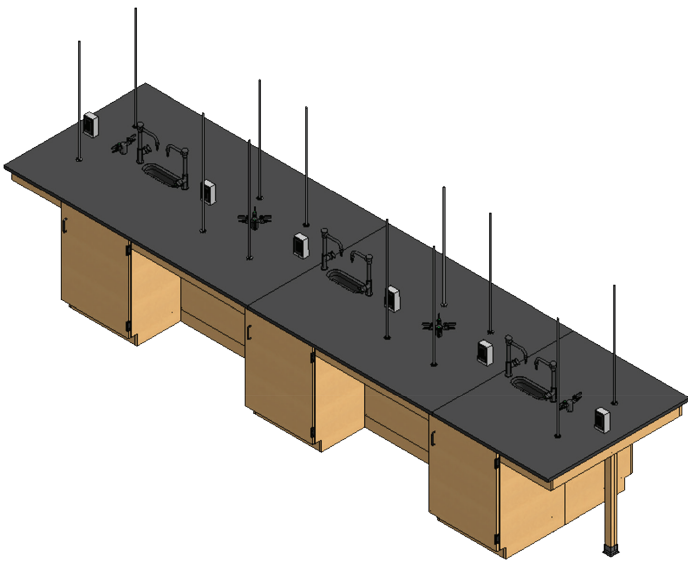
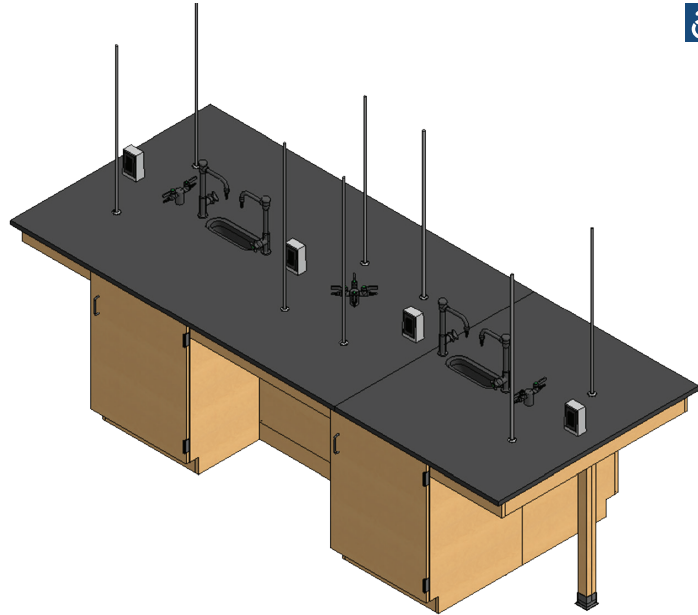
## 11240 (Wood components only: 11240-WD)

### Twelve Student Island, ADA Compliant

- 194" long x 50" deep
- Specify standing height (36") or ADA height (34")
- Phenolic resin or cast epoxy top
- Six base cabinets, 24" wide x 16" deep. Choose from types A through F (shown below) and add cabinet code as suffix. (11240A is shown)

### Services

- 3 x TS-15 – 10.88" x 3" x 5.25" deep epoxy drop-in sinks
- 6 x VR611VB cold water faucet with vacuum breaker and hose nozzle, vandal-resistant
- 2 x VR4100-132SWSA deck-mounted double ball valve, 180°
- 2 x VR4100-134WSA deck-mounted QUAD ball valve
- 6 x VRE433GF-SA-WS electrical pedestal - duplex double sided GFI, vandal-resistant
- 12 x AAP104 aluminum rod socket, 1/2" thread
- 12 x AAP125-036 Aluminum vertical rod, 36", threaded
- 8 x AAP125-036 Aluminum vertical rod, 36", threaded



## Base Cabinet Options



Type A

Type B

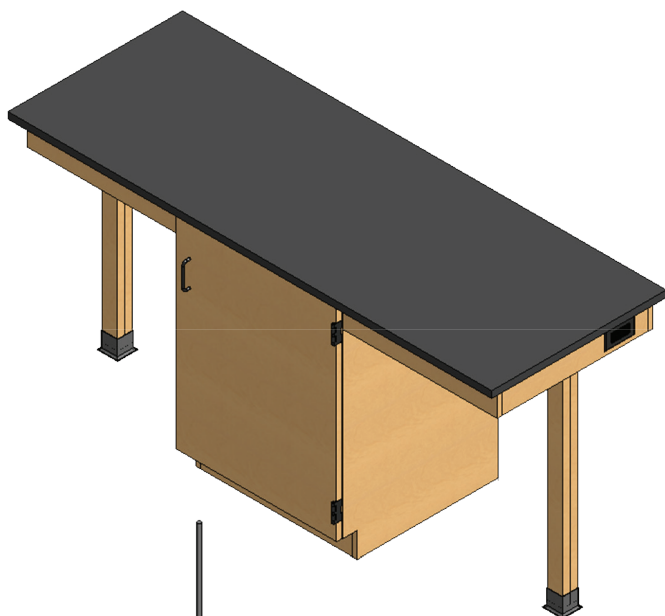
Type C

Type D

Type E

Type F

# Student Island Benches (cont'd)



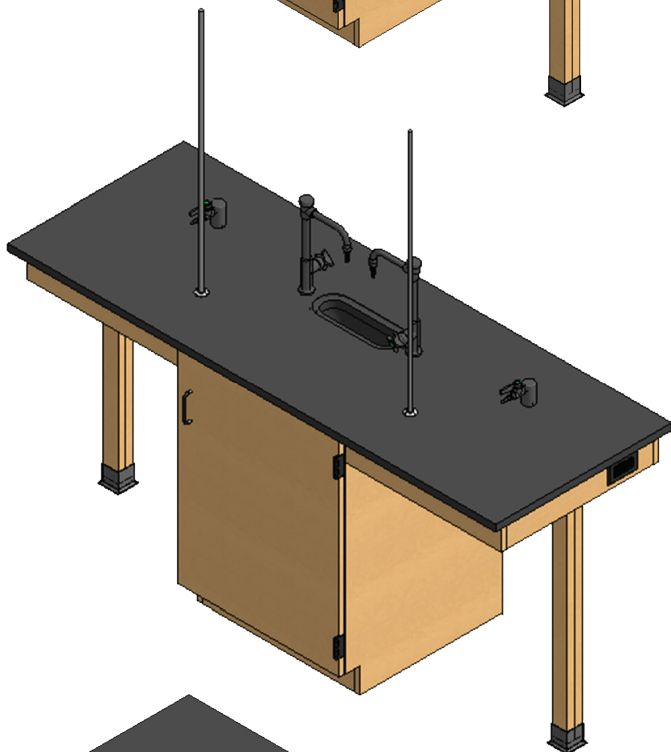
## I0220 (Wood components only: I0220-WD)

### Two Student single-sided Island without sink

- 72" long x 26" deep
- Specify standing height (36") or ADA height (34")
- Phenolic resin, cast epoxy or maple butcher block top
- One base cabinet, 24" wide x 24" deep with finished back. Choose from types O through R from page SA-7 and add cabinet code as suffix. (I0220K is shown)

### Services

- 2 x E2333GF-SA electrical outlet, flush - single duplex GFI



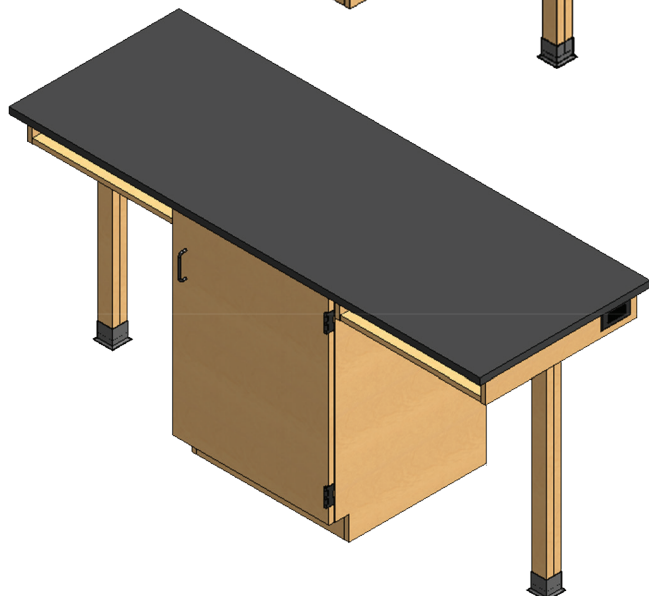
## I0225 (Wood components only: I0225-WD)

### Two Student single-sided Island with sink

- 72" long x 26" deep
- Specify standing height (36") or ADA height (34")
- Phenolic resin or cast epoxy top
- One B2110 sink base cabinets, 24" wide x 24" deep with finished back

### Services

- TS-15 – 10.88" x 3" x 5.25" deep epoxy drop-in sink
- 2 x VR611VB cold water faucet with vacuum breaker and hose nozzle, vandal-resistant
- 2 x VR4100-131WSA deck-mounted single ball valve
- 2 x E2333GF-SA electrical outlet, flush - single duplex GFI
- 2 x AAP104 aluminum rod socket, 1/2" thread
- 2 x AAP125-036 Aluminum vertical rod, 36", threaded



## I0230 (Wood components only: I0230-WD)

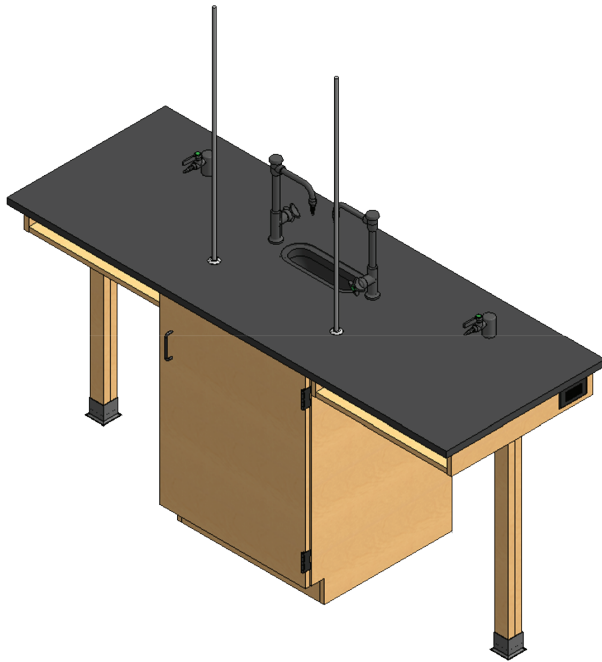
### Two Student single-sided Island with book compartments without sink

- 72" long x 26" deep
- Specify standing height (36") or ADA height (34")
- Phenolic resin, cast epoxy or maple butcher block top
- One base cabinet, 24" wide x 24" deep with finished back. Choose from types O through R from page SA-7 and add cabinet code as suffix. (I0230K is shown)

### Services

- 2 x E2333GF-SA electrical outlet, flush - single duplex GFI

# Student Island Benches (cont'd)



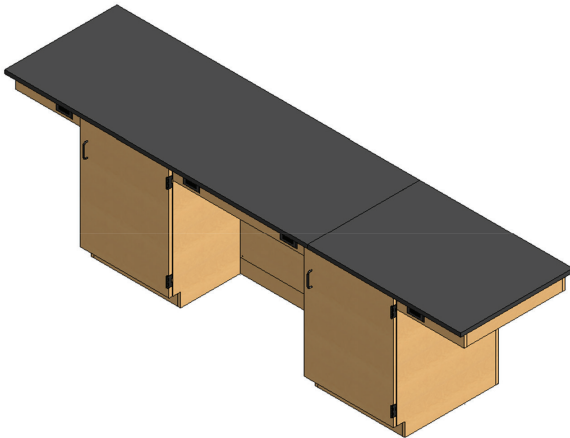
## 10235 (Wood components only: 10235-WD)

### Two Student single-sided Island with book compartments & sink

- 72" long x 26" deep
- Specify standing height (36") or ADA height (34")
- Phenolic resin or cast epoxy top
- One B2110 sink base cabinets, 24" wide x 24" deep with finished back

#### Services

- TS-15 – 10.88" x 3" x 5.25" deep epoxy drop-in sink
- 2 x VR611VB cold water faucet with vacuum breaker and hose nozzle, vandal-resistant
- 2 x VR4100-131WSA deck-mounted single ball valve
- 2 x E2333GF-SA electrical outlet, flush - single duplex GFI
- 2 x AAP104 aluminum rod socket, 1/2" thread
- 2 x AAP125-036 Aluminum vertical rod, 36", threaded



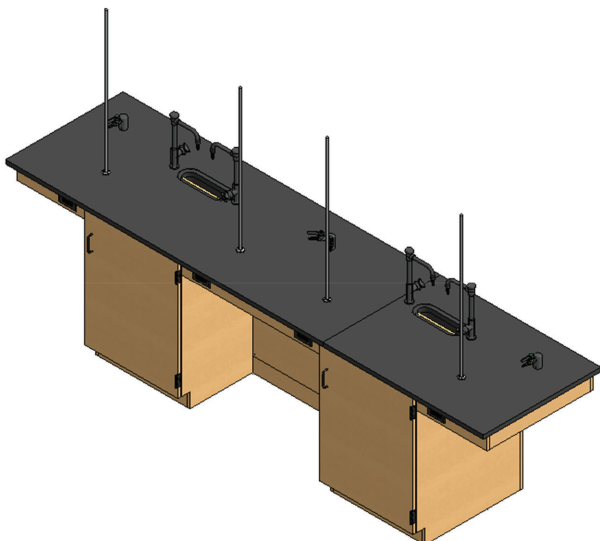
## 10420 (Wood components only: 10420-WD)

### Four Student single-sided Island without sinks, ADA Compliant

- 122" long x 30" deep
- Specify standing height (36") or ADA height (34")
- Phenolic resin, cast epoxy or maple butcher block top
- Two base cabinets, 24" wide x 19" deep with finished back. Choose from types O through R from page SA-7 and add cabinet code as suffix. (10420O is shown)

#### Services

- 4 x E2333GF-SA electrical outlet, flush - single duplex GFI



## 10425 (Wood components only: 10425-WD)

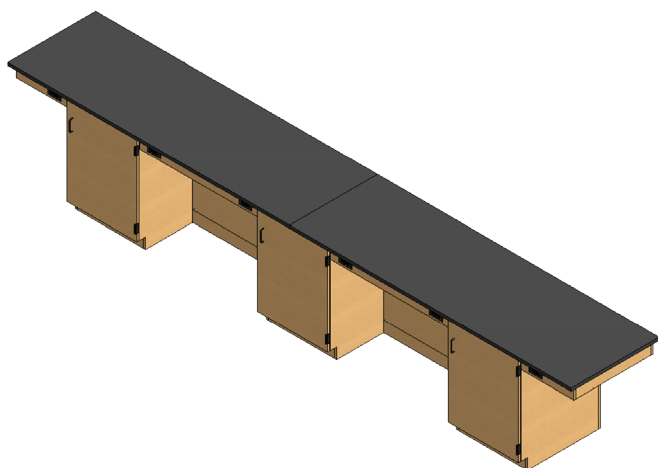
### Four Student single-sided Island with sinks, ADA Compliant

- 122" long x 30" deep
- Specify standing height (36") or ADA height (34")
- Phenolic resin or cast epoxy top
- Two B2110 sink base cabinets, 24" wide x 19" deep with finished back

#### Services

- 2 x TS-15 – 10.88" x 3" x 5.25" deep epoxy drop-in sink
- 4 x VR611VB cold water faucet with vacuum breaker and hose nozzle, vandal-resistant
- 2 x VR4100-131WSA deck-mounted single ball valve
- 1 x VR4100-132AWSA deck-mounted double ball valve, 90°
- 4 x E2333GF-SA electrical outlet, flush - single duplex GFI
- 4 x AAP104 aluminum rod socket, 1/2" thread
- 4 x AAP125-036 Aluminum vertical rod, 36", threaded

# Student Island Benches (cont'd)



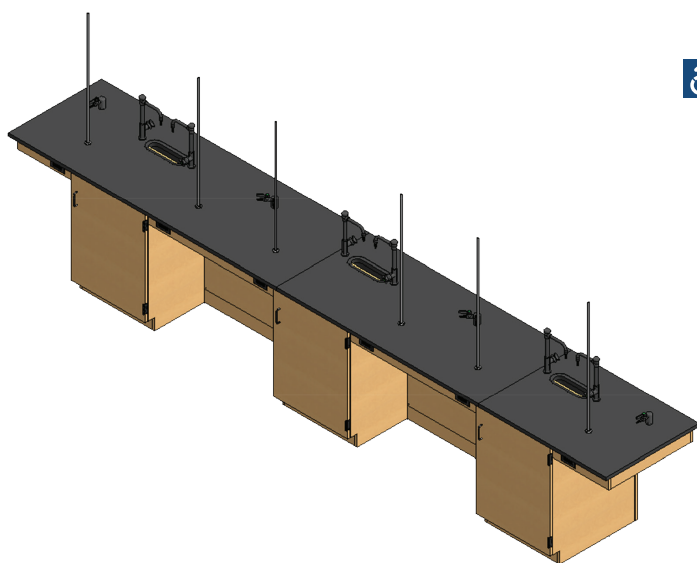
## **I0620 (Wood components only: I0620-WD)**

### Six Student single-sided Island without sinks, ADA Compliant

- 192" long x 30" deep
- Specify standing height (36") or ADA height (34")
- Phenolic resin, cast epoxy or maple butcher block top
- Three base cabinets, 24" wide x 19" deep with finished back. Choose from types O through R (shown below) and add cabinet code as suffix. (I0620O is shown)

### Services

- 6 x E2333GF-SA electrical outlet, flush - single duplex GFI



## **I0625 (Wood components only: I0625-WD)**

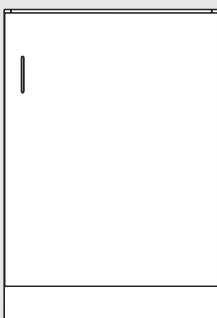
### Six Student single-sided Island with sinks, ADA Compliant

- 192" long x 30" deep
- Specify standing height (36") or ADA height (34")
- Phenolic resin or cast epoxy top
- Three B2110 sink base cabinets, 24" wide x 19" deep with finished back

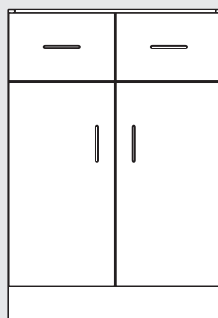
### Services

- 3 x TS-15 – 10.88" x 3" x 5.25" deep epoxy drop-in sinks
- 6 x VR611VB cold water faucet with vacuum breaker and hose nozzle, vandal-resistant
- 2 x VR4100-131WSA deck-mounted single ball valve
- 2 x VR4100-132AWSA deck-mounted double ball valve, 90°
- 6 x E2333GF-SA electrical outlet, flush - single duplex GFI
- 6 x AAP104 aluminum rod socket, 1/2" thread
- 6 x AAP125-036 Aluminum vertical rod, 36", threaded

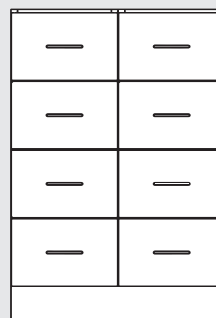
## Base Cabinet Options



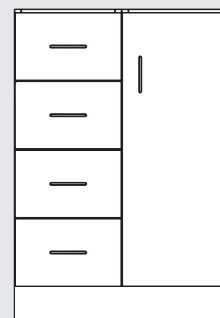
Type O



Type P



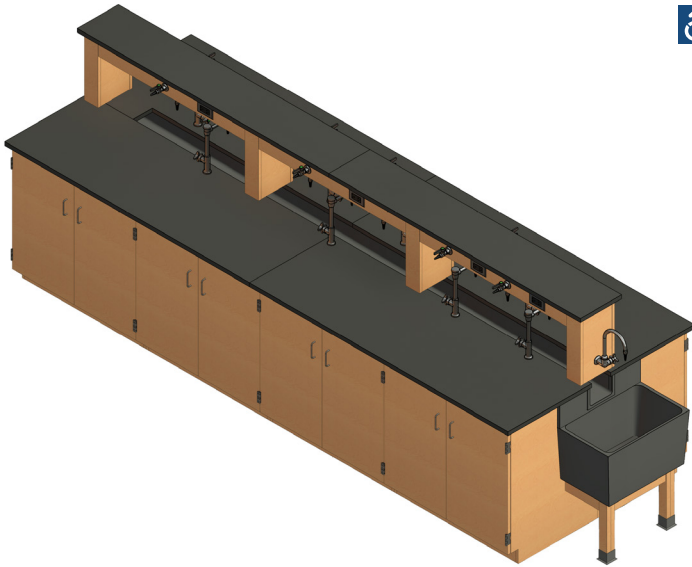
Type Q



Type R



# Student Island Benches (cont'd)



## **I0860 (Wood components only: I0860-WD)**

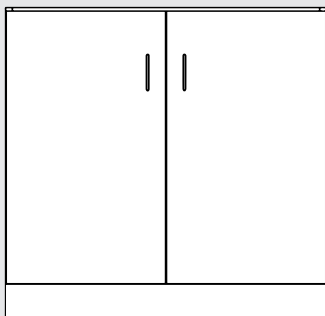
### **Eight Student Chemistry Island, ADA Compliant**

- 146" long x 54" deep
- Specify standing height (36") or ADA height (34")
- Phenolic resin or cast epoxy top
- Phenolic resin reagent shelf assembly with apron-mounted services
- Eight base cabinets, 36" wide x 23" deep. Choose from types K through N (shown below) and add cabinet code as suffix. (I0860K is shown)

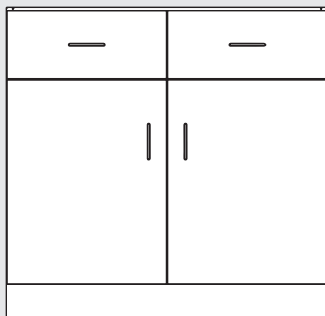
### **Services**

- Epoxy resin trough sloped to end sink
- Epoxy resin end sink (E-47 - 22" x 13-5/8" x 12-5/8") on wood frame to match cabinets
- 8 x VR611VB cold water faucet with vacuum breaker and hose nozzle, vandal-resistant
- 8 x VR4100-158WSA panel-mounted single gas outlet
- 8 E2333GF-SA electrical outlet, flush - single duplex GFI E2333GF-SA panel-mounted
- 1 x L2714-WSA panel-mounted cold water faucet over end sink

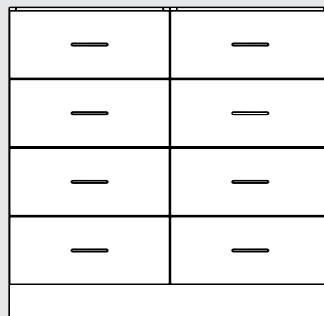
## Base Cabinet Options



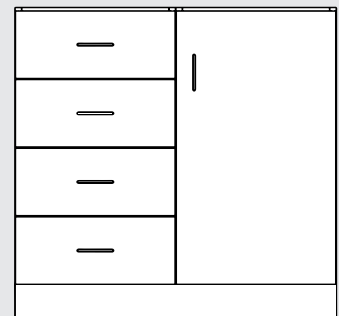
Type K



Type L



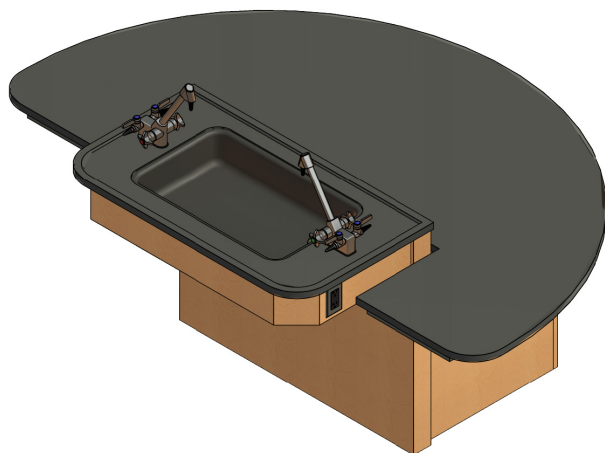
Type M



Type N



# Student Island Benches (cont'd)



## **I1800 (Wood components only: I1800-WD)**

### **Elevation Table, ADA Compliant**

- Forward facing, 4-student workstation, perfect for hands-on, project-based classroom environments
- 84" x 48" phenolic resin or cast epoxy main top with electric height adjustment (31" – 37")
- 42" x 24" cast epoxy sink top with marine edges
- Metal frame structure with painted metal or wood veneer closure panels (specify)
- Mobile storage cabinets available in painted metal or wood

### **Services**

- A55 - 25" X 15" X 4.8" DEEP ADA EPOXY drop-in sink
- 2 x VR5800WSA combination mixing faucet with two gas outlets, vandal-resistant
- 2 x E2533GF-SA electrical outlet, flush - double duplex GFI



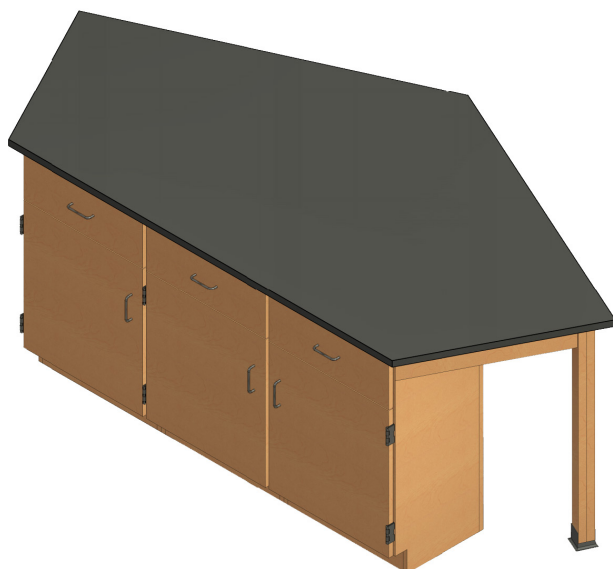
## **I1510 (Wood components only: I1510-WD)**

### **Four Student Trapezoidal Workstation with sink, ADA Compliant**

- 96" wide x 48" deep
- Specify standing height (36") or ADA height (34")
- 2 x 24" wide x 16" deep door/drawer cabinets
- 1 x 24" wide front panel under sink
- Finished back
- Solid hardwood apron frame and table legs

### **Services**

- D22C - 18" X 6.5" X 6.8" deep epoxy drop-in sink
- 2 x VR5600WSA combination cold water faucet with two gas outlets, vandal-resistant
- 2 x E2333GF-SA electrical outlet, flush - single duplex GFI

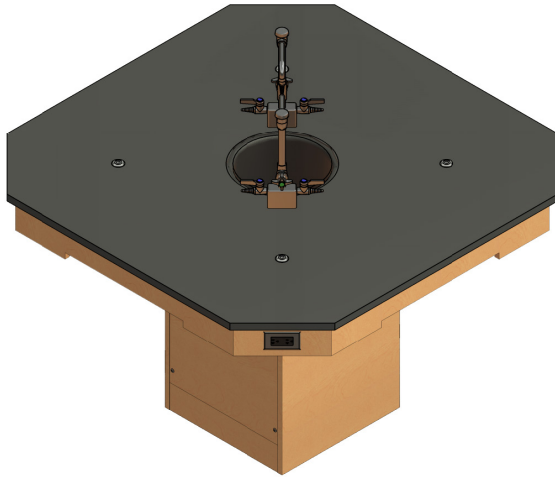


## **I1530 (Wood components only: I1530-WD)**

### **Four Student Trapezoidal Workstation without sink & fixtures, ADA Compliant**

- 96" wide x 48" deep
- Specify standing height (36") or ADA height (34")
- 3 x 24" wide x 16" deep door/drawer cabinets
- Finished back
- Solid hardwood apron frame and table legs

# Pedestal Islands



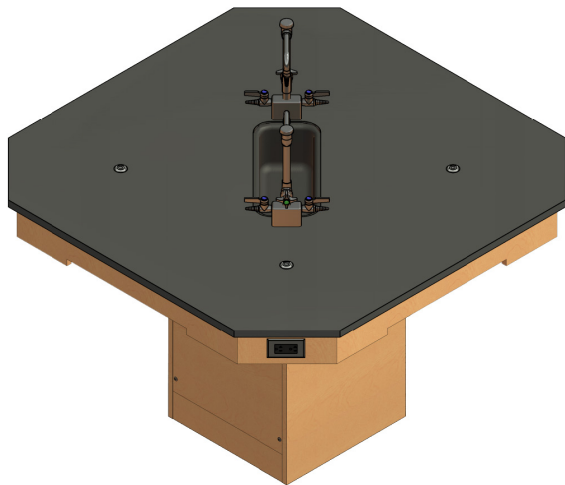
## **I3010 (Wood components only: I3010-WD)**

### **Four Student Pedestal Island with round sink, ADA Compliant**

- 56" x 56"
- Specify standing height (36") or ADA height (34")
- Plywood pedestal with removable access panel to plumbing
- Phenolic resin or cast epoxy top
- Suspended Cabinets not included (choose from T through X on page SA-12 to be ordered separately)

### **Services**

- DRS12 - 12" Round X 7.8" deep epoxy drop-in sink
- 2 x VR5600WSA combination cold water faucet with two gas outlets, vandal-resistant
- 2 x E2333GF-SA electrical outlet, flush - single duplex GFI
- 4 x AAP104 aluminum rod socket, 1/2" thread
- Upright rods not included (AAP125-036 to be ordered separately)



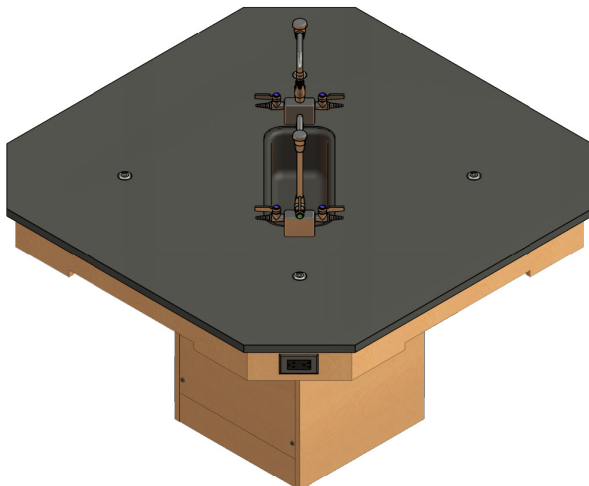
## **I3020 (Wood components only: I3020-WD)**

### **Four Student Pedestal Island with trough, ADA Compliant**

- 56" x 56"
- Specify standing height (36") or ADA height (34")
- Plywood pedestal with removable access panel to plumbing
- Phenolic resin or cast epoxy top and turrets
- Suspended Cabinets not included (choose from T through X on page SA-12)

### **Services**

- D22C - 18" X 6.5" X 6.8" deep epoxy drop-in sink
- 2 x VR5600WSA combination cold water faucet with two gas outlets, vandal-resistant
- 2 x E2333GF-SA electrical outlet, flush - single duplex GFI
- 4 x AAP104 aluminum rod socket, 1/2" thread
- Upright rods not included (AAP125-036 to be ordered separately)



## **I3030 (Wood components only: I3030-WD)**

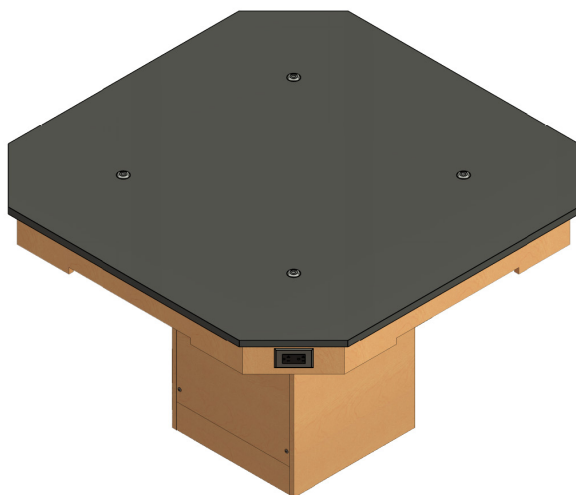
### **Four Student ADA Pedestal Island with trough, ADA Compliant**

- 56" x 56" x ADA height (34")
- Plywood pedestal
- Removable access panel for access to plumbing
- Phenolic resin or cast epoxy top and turrets
- Suspended Cabinets not included (choose from T through X on page SA-12)
- Upright rods not included (AAP125-036 to be ordered separately)

### **Services**

- D22C - 18" x 6.5" x 6" deep epoxy drop-in sink
- 2 x VR5600WSA-BH ADA combination cold water faucet with two gas outlets, vandal-resistant
- 2 x E2333GF-SA electrical outlet, flush - single duplex GFI
- 4 x AAP104 aluminum rod socket, 1/2" thread

# Pedestal Islands (cont'd)



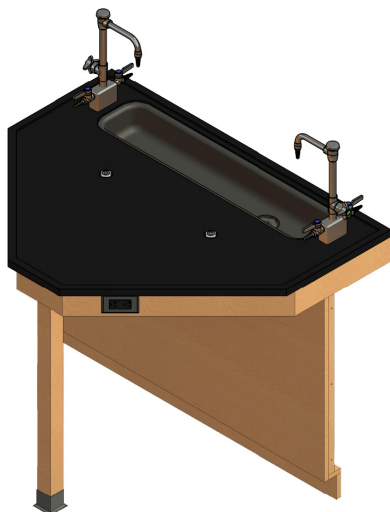
## I3040 (Wood components only: I3040-WD)

### Four Student Pedestal Island, ADA Compliant

- 56" x 56"
- Specify standing height (36") or ADA height (34")
- Plywood pedestal with removable access panel to plumbing
- Phenolic resin or cast epoxy top
- Suspended Cabinets not included (choose from T through X on page SA-12)

### Services

- 2 x E2333GF-SA electrical outlet, flush - single duplex GFI
- 4 x AAP104 aluminum rod socket, 1/2" thread
- Upright rods not included (AAP125-036 to be ordered separately)



## P0100 (Wood components only: P0100-WD)

### Two Student Peninsula with trough, ADA Compliant

- Plywood access panel at perimeter casework
- To fit between two fixed cabinets
- 50" wide x 36" deep (protruding 24") x 34" high
- Solid hardwood apron and leg
- Phenolic resin or cast epoxy top and turrets
- Will not accept suspended cabinets
- Upright rods not included (AAP125-036 to be ordered separately)

### Services

- DT36 – 34.5" x 6.4" x 3.6" deep trough sink
- 2 x VR5600WSA combination cold water faucet with two gas outlets, vandal-resistant
- 2 x E2333GF-SA electrical outlet, flush - single duplex GFI
- 2 x AAP104 aluminum rod socket, 1/2" thread



## I3060 (Wood components only: I3060-WD)

### Trifacial Service Hub

- 55-1/8" x 48-1/8" x 36" high
- Plywood pedestal
- Door access panel for access to plumbing
- Cast epoxy top #871 by Durcon

### Services

- UH20C - trifacial epoxy undermount sink
- 3 x VR5600WSA combination cold water faucet with two gas outlets, vandal-resistant
- 3 x E2333GF-SA electrical outlet, flush - single duplex GFI

# Pedestal Islands (cont'd)



## I3080 (Wood components only: I3080-WD)

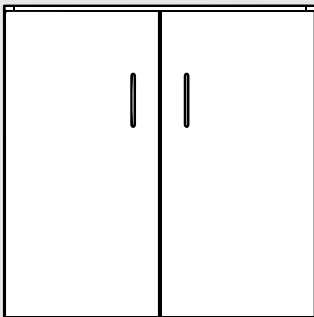
### Service Island

- 26" wide x 24" or 30" deep (specify)
- Specify standing height (36") or ADA height (34")
- 24" wide base cabinet with single door front & back

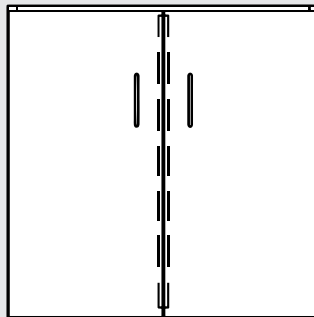
### Services

- D05 - 14" X 10" X 6.2" deep epoxy drop-in sink
- 2 x VR5600WSA combination cold water faucet with two hose nozzles, vandal-resistant
- 2 x E2333GF-SA electrical outlet, flush - single duplex GFI

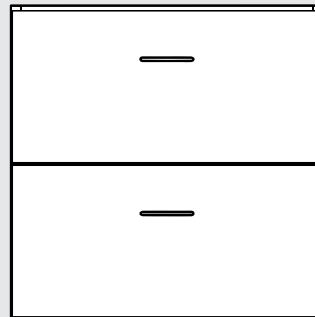
## Suspended Cabinet Options



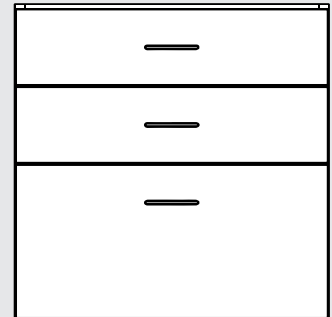
Type T



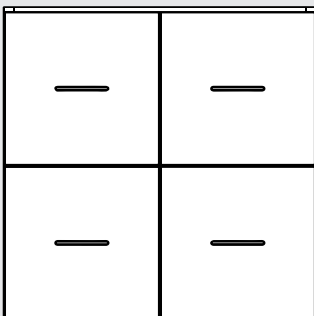
Type U



Type V

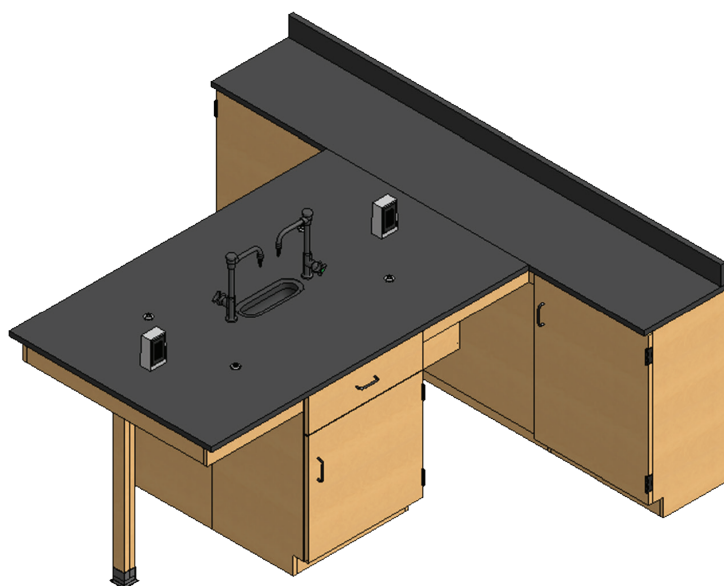


Type W



Type X

# Student Perimeter Workstations



## P2010 (Wood components only: P2010-WD)

### Four Student Perimeter/Peninsula

- 90" long x 17" deep perimeter bench
- 66" long x 42" wide peninsula
- Specify standing height (36") or ADA height (34")
- Phenolic resin or cast epoxy tops
- Two perimeter base cabinets, 24" wide x 16" deep. Choose from A through C (shown below) and add cabinet code as suffix. (P2010AB is shown)
- Two peninsula base cabinets, 24" wide x 16" deep. Choose from A through C (shown below) and add cabinet code as suffix. (P2010AB is shown)

### Services

- TS-15 – 10.88" x 3" x 5.25" deep epoxy drop-in sink
- 2 x VR611VB cold water faucet with vacuum breaker and hose nozzle, vandal-resistant
- 2 x VRE433GF-SA-WS electrical pedestal - duplex double sided GFI, vandal-resistant
- 4 x AAP104 aluminum rod socket, 1/2" thread
- Upright rods not included (AAP125-036 to be ordered separately)

## P2030 (Wood components only: P2030-WD)

### Four Student ADA Perimeter/Peninsula

- 90" long x 17" deep perimeter bench
- 72" long x 42" wide peninsula
- Specify standing height (36") or ADA height (34"); peninsula is always ADA height)
- Phenolic resin or cast epoxy tops
- Two perimeter base cabinets, 24" wide x 16" deep. Choose from A through C (shown below) and add cabinet code as suffix. (P2030AH is shown)
- One peninsula base cabinet, 30" wide x 16" deep. Choose types C, G or H (shown below) and add cabinet code as suffix. (P2030AH is shown)
- ADA sloped sink enclosure panels on opposite side, 30" wide x 16" deep

### Services

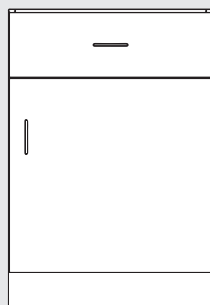
- TS-15 – 10.88" x 3" x 5.25" deep epoxy drop-in sink
- 1 x VR5600WSA combination cold water faucet with two hose nozzles, vandal-resistant
- 1 x VR5600WSA-BH ADA combination cold water faucet with two hose nozzles, vandal-resistant
- 2 x VRE433GF-SA-WS electrical pedestal - duplex double sided GFI, vandal-resistant
- 4 x AAP104 aluminum rod socket, 1/2" thread
- Upright rods not included (AAP125-036 to be ordered separately)

## Base Cabinet Options

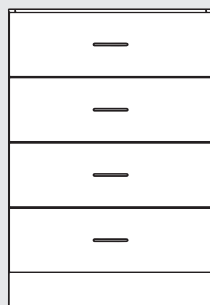
(24"w shown, 30"w have two pulls per drawer)



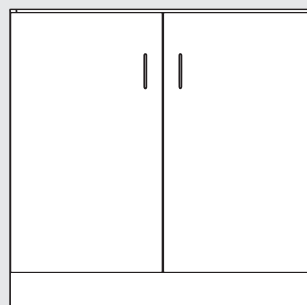
Type A



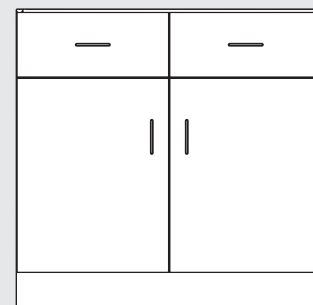
Type B



Type C



Type G



Type H



# Instructors' Desks & Demonstration



**I4010 (sink on left - shown), I4030 (reversed)**  
**(Wood components only: I4010-WD or I4030-WD)**

### 60" Instructor's Demonstration Bench

- 60" long x 30" deep
- Specify standing height (36") or ADA height (34")
- Phenolic resin or cast epoxy countertop
- B2110 18" wide sink cabinet
- B4040 18" wide four-drawer cabinet
- 22" knee-space
- Finished back

### Services

- D05 - 14" X 10" X 6.2" deep epoxy drop-in sink
- 1 x VR411VB mixing faucet with vacuum breaker and hose nozzle, vandal-resistant
- 1 x VR4100-131WSA deck-mounted single ball valve
- 1 x VRE533GF-SA-WS electrical pedestal - QUAD single sided GFI, vandal-resistant
- 2 x AAP104 aluminum rod socket, 1/2" thread
- 2 x AAP125-036 Aluminum vertical rod, 36", threaded
- 1 x AAP15-036 horizontal rod with clamps



**I4050 (sink on left - shown), I4070 (reversed)**  
**(Wood components only: I4050-WD or I4070-WD)**

### 96" Instructor's Demonstration Bench

- 96" long x 30" deep
- Specify standing height (36") or ADA height (34")
- Phenolic resin or cast epoxy countertop
- B2100 36" wide sink cabinet
- B4240 36" wide five-drawer cabinet
- 22" knee-space
- Finished back

### Services

- D30 - 18" X 15" X 11" deep epoxy drop-in sink
- 1 x VR411VB mixing faucet with vacuum breaker and hose nozzle, vandal-resistant
- 1 x VR4100-132SWSA deck-mounted double ball valve, 180°
- 1 x VRE533GF-SA-WS electrical pedestal - QUAD single sided GFI, vandal-resistant
- 2 x AAP104 aluminum rod socket, 1/2" thread
- 2 x AAP125-036 Aluminum vertical rod, 36", threaded
- 1 x AAP15-036 horizontal rod with clamps



**I4080 (left - shown), I4090 (reversed)**  
**(Wood components only: I4080-WD or I4090-WD)**

### Instructor's Bench Desk Add-on

- For adding on to the above Instructor's Benches
- 50" wide x 30" deep x 30" high
- Phenolic resin or cast epoxy countertop
- B4540 18" wide 2 drawer/file drawer cabinet
- B4740 29" wide knee-space drawer with back panel
- Finished back

# Instructors' Desks & Demonstration (cont'd)



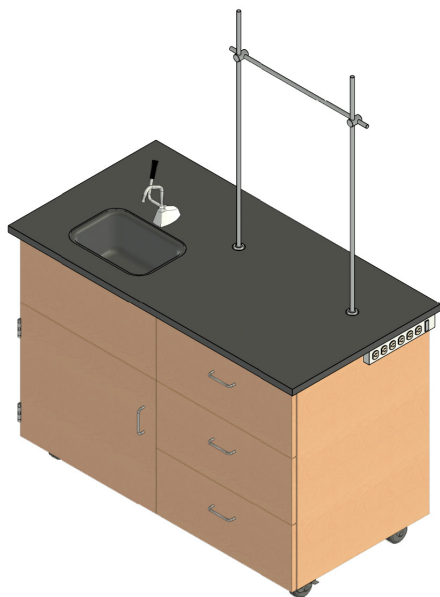
## **I1850 (Wood components only: I1850-WD)**

### **Elevation Instructor's Desk, ADA Compliant**

- Overall 146" wide x 63" deep
- Countertop depth of 33"
- Specify standing height (36") or ADA height (34")
- Phenolic resin or cast epoxy countertop
- Cupboard storage accessible from front and back
- Knee-space with drawers and finished back
- Cantilevered sink

### **Services**

- A05 – 14" x 10" x 5" deep epoxy sink
- 1 x VR5800WSA combination mixing faucet with two hose nozzles, vandal-resistant
- 2 x E2533GF-SA electrical outlet, flush - double duplex GFI



## **I5010 (Wood components only: I5010-WD)**

### **48" Mobile Demonstration Desk**

- 48" wide x 26" deep x 36" high
- Phenolic resin or cast epoxy countertop
- 24" wide door
- Three 24" wide drawers
- Finished back

### **Services**

- D03C – 12" x 8" x 5.8" deep epoxy drop-in sink
- Manual Whale Galley flipper pump
- 2 x 2.5 gallon carboys
- Supply and drain hoses with clamps
- 1 x AAP104 aluminum rod socket, 1/2" thread
- 1 x AAP125-036 Aluminum vertical rod, 36", threaded
- 1 x AAP15-024 horizontal rod with clamps
- Power bar mounted to end



## **I5020 (Wood components only: I5020-WD)**

### **60" Mobile Demonstration Desk**

- 60" wide x 30" deep x 36" high
- Phenolic resin or cast epoxy countertop
- 24" wide 3-drawer/door cabinet with open compartment and rear door
- 32" wide knee-space with end panel
- Finished back

### **Services**

- CS4R - 5.7" X 6.3" X 3.1" X 4" deep polypropylene cupsink
- Manual Whale Galley flipper pump
- 2 x 2.5 gallon carboys
- Supply and drain hoses with clamps
- 2 x AAP104 aluminum rod socket, 1/2" thread
- 1 x AAP15-036 horizontal rod with clamps
- 1 x AAP15-024 horizontal rod with clamps
- Power bar mounted to end



# Science Assemblies Index

<b>General Information .....</b>	<b>SA-2</b>	<b>Pedestal Islands .....</b>	<b>SA-10</b>
<b>Student Island Benches .....</b>	<b>SA-3</b>	I3010	Four Student Pedestal Island with round sink..... SA-10
I0440	Four Student Island..... SA-3	I3020	Four Student Pedestal Island with trough..... SA-10
I1440	Four Student ADA Island..... SA-3	I3030	Four Student ADA Pedestal Island with trough..... SA-10
I0840	Eight Student Island..... SA-4	I3040	Four Student Pedestal Island..... SA-11
I1240	Twelve Student Island..... SA-4	P0100	Two Student Peninsula with trough..... SA-11
I0220	Two Student single-sided Island without sink..... SA-5	I3060	Trifacial Service Hub..... SA-11
I0225	Two Student single-sided Island with sink..... SA-5	I3080	Service Island..... SA-12
I0230	Two Student single-sided Island with book compartments without sink..... SA-5	<b>Student Perimeter Workstations.....</b>	<b>SA-13</b>
I0235	Two Student single-sided Island with book compartments and sink..... SA-6	P2010	Four Student Perimeter/Peninsula..... SA-13
I0420	Four Student single-sided Island without sinks..... SA-6	P2030	Four Student ADA Perimeter/Peninsula..... SA-13
I0425	Four Student single-sided Island with sinks..... SA-6	<b>Instructors' Desks &amp; Demonstration .....</b>	<b>SA-14</b>
I0620	Six Student single-sided Island without sinks..... SA-7	I4010	60" Instructor's Demonstration Bench (sink left)..... SA-14
I0625	Six Student single-sided Island with sinks..... SA-7	I4030	60" Instructor's Demonstration Bench (sink right)..... SA-14
I0860	Eight Student Chemistry Island..... SA-8	I4050	96" Instructor's Demonstration Bench (sink left)..... SA-14
I1800	Elevation Table..... SA-9	I4070	96" Instructor's Demonstration Bench (sink right)..... SA-14
I1510	Four Student Trapezoidal Workstation with sink..... SA-9	I4080	Instructor's Bench Desk Add-on (left)..... SA-14
I1530	Four Student Trapezoidal Workstation without sink and fixtures..... SA-9	I4090	Instructor's Bench Desk Add-on (right)..... SA-14
		I1850	Elevation Instructor's Desk..... SA-15
		I5010	48" Mobile Demonstration Desk..... SA-15
		I5020	60" Mobile Demonstration Desk..... SA-15